

Quick Start Guide

PHASIS Power 25

Please read this document before using and observe the user manual at: myphasis.de/downloads/

Deliveries

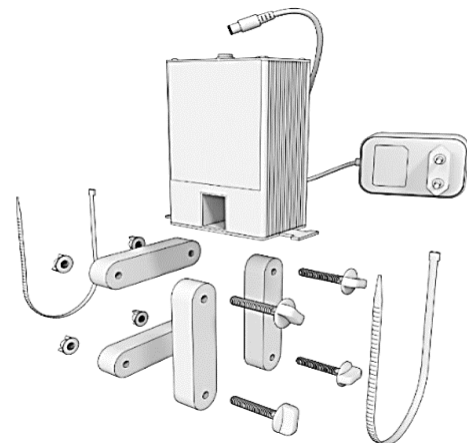
- 1 x Power Unit P25
- 4 x nylon screws and nuts
- 4 x ferrites - 1 x power adapter
- 2 x cable ties



Assemble

Attention!

Place the individual parts on a firm surface to prevent the delicate ferrites from falling or breaking. Handle the sensitive ferrites with care.

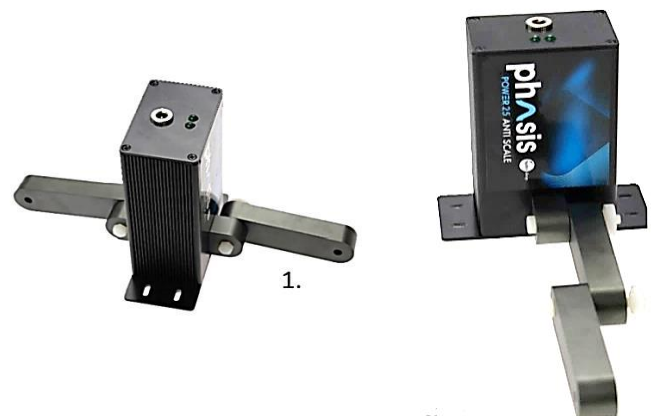


1.

Insert a ferrite through the opening in the unit and fix it on each side with the screws. One ferrite on each side. Now the ferrite cannot slip out.

2.

Attach the third ferrite on one side in the same way.

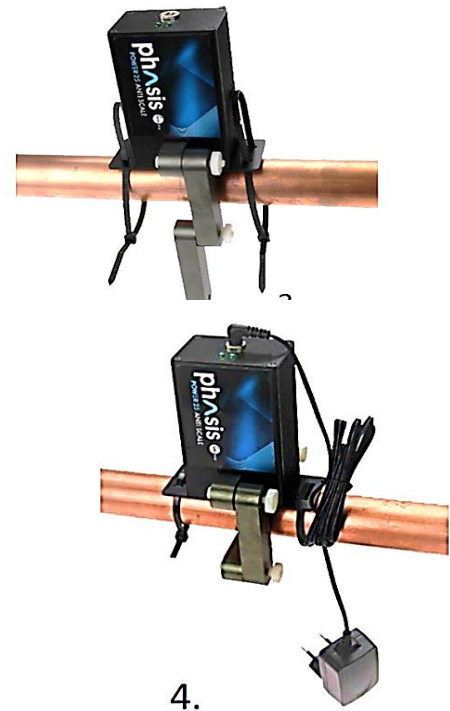


Now insert a cable binder through the slots on both sides. Place the unit on the water pipe and secure it with the cable ties.

3.
Close the ferrite ring with the last screw.

Attention : Tighten the screws only hand-tight, to prevent the ferrites from breaking.

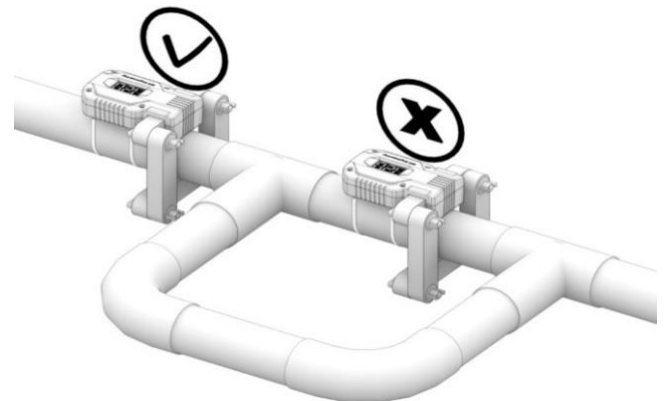
4.
Plug the adapter connector into the unit and the adapter into the power supply. Both diodes must light **GREEN**.



Error sources

If only one LED or no LED is lit, check the following points:

- Is the adapter plugged in and does the socket have voltage?
- Is the adapter firmly plugged into the unit?
- Are the ferrites hand-tight?
- Is the ferrite ring closed?



If there is an "electrical circuit", there is a metallic connection in front of and behind the unit. The voltage breaks down. Find a suitable place in front of or behind the possible circuit and mount the unit again. Observe the enclosed installation instructions.

Attention!

Always close the ferrite ring before connecting the unit to the mains! The induction field encompasses the entire interior of the ferrite ring, the ferrites do not have to be firmly attached to the line.

For further documents
scan the QR code

